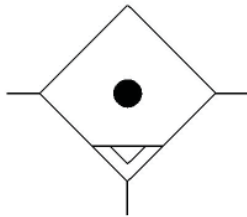
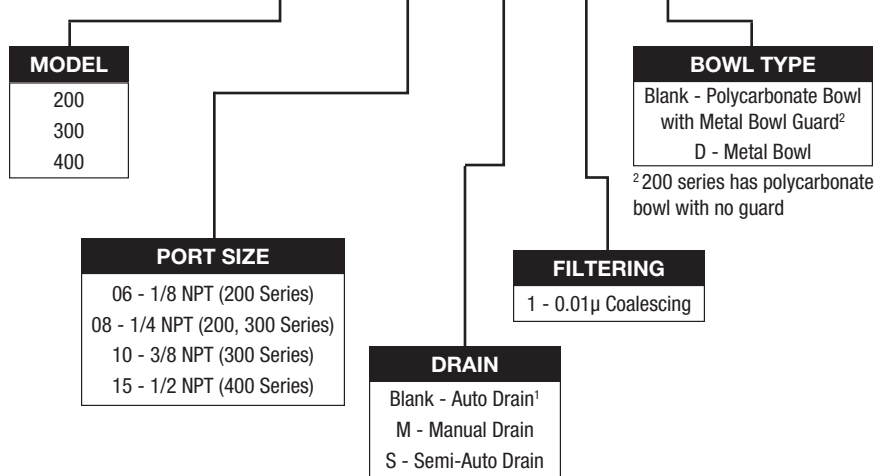


Air Preparation Equipment - Coalescing Filters



How to Order

MGFB 300 - 08 - S - 1 - D



¹Not available on 200 series

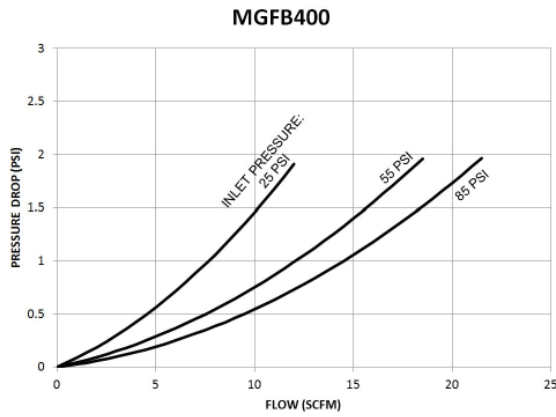
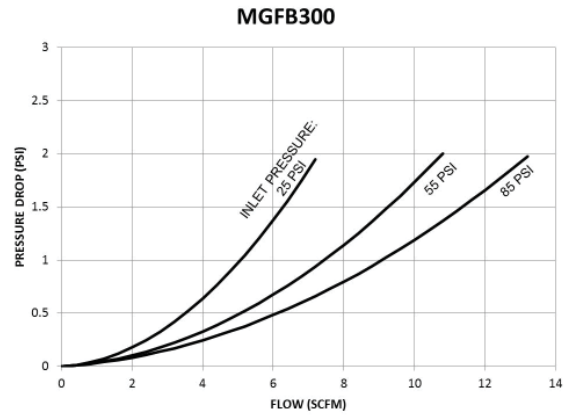
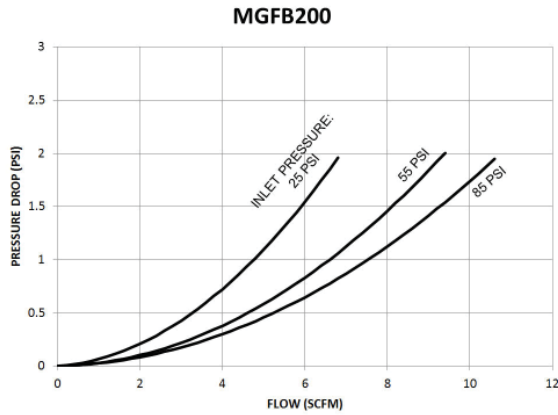
Engineering Specifications

Model	MGFB200	MGFB300	MGFB400
Fluid	Air to be filtered to 5 μ or better		
Pressure Range	Semi- Auto and Auto Drain: 25 to 130 PSI (0.17 to 0.9 MPa) Manual Drain: 7 to 130 PSI (0.05 to 0.9 MPa)		
Proof Pressure	215 PSI (1.5 MPa)		
Temperature Range	23 to 158 °F (-5 to 70 °C)		
Filtration Rating	0.01 μ (95% efficiency)		
Max Flow Rate ³	5 SCFM	10 SCFM	20 SCFM
Polycarbonate Bowl Capacity	0.34 FL OZ (10CC)	1.35 FL OZ (40CC)	2.7 FL OZ (80CC)
Metal Bowl Capacity	0.57 FL OZ (17CC)	1.35 FL OZ (40CC)	2.7 FL OZ (80CC)
Bowl Material	Polycarbonate Bowl or Metal Bowl with Polycarbonate Level Indicator	Polycarbonate Bowl with Metal Bowl Guard or Metal Bowl with Polycarbonate Level Indicator	
Material	Aluminum Alloy Body		
Mounting	Individual Stamped Steel Bracket or Modular Connecting Kit		
Includes	Stamped Steel Bracket		

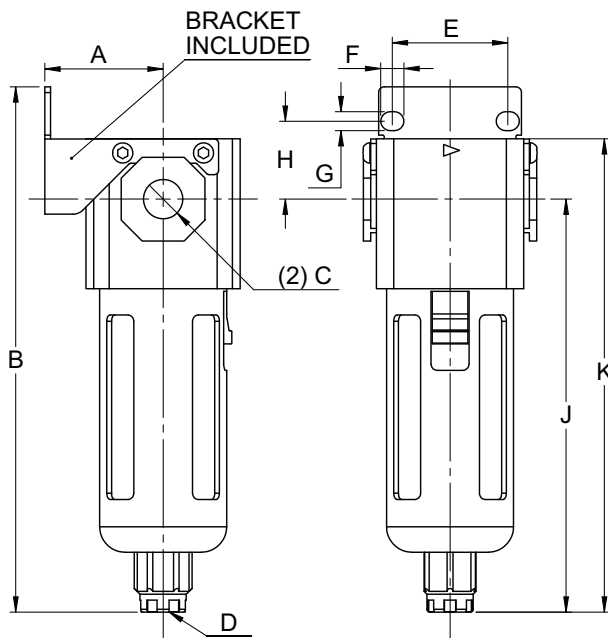
³Maximum rated flow at 85 PSI inlet pressure for coalescing function

Air Preparation Equipment - Coalescing Filters

Performance Data



Dimensions (mm)



Model	A	B	C	D
MGFB200-06	30	123* 137**	1/8 NPT	--
MGFB200-08	30	123* 137**	1/4 NPT	--
MGFB300-08	41	182	1/4 NPT	G 1/8
MGFB300-10	41	182	3/8 NPT	G 1/8
MGFB400-15	50	208	1/2 NPT	G 1/4

Model	E	F	G	H	J	K
MGFB200-06	27	2.4	5.4	23	93* 107**	110* 124**
MGFB200-08	27	2.4	5.4	23	93* 107**	110* 124**
MGFB300-08	40	8	6.5	27	143	164
MGFB300-10	40	8	6.5	27	143	164
MGFB400-15	55	11	8.6	33.5	166.5	191.5

* Polycarbonate Bowl

** Metal Bowl