



MFD NPT Round Gauges/Adapter Plates



- Round NPT gauges offer more precise readouts than square/flush gauges, allowing for pressure fine-tuning
- Gauges include both English and S.I. units for international machine requirements
- Round gauges are more visible/legible at greater distances than square/flush types

MGFR300 - 08 - S - W - D - R

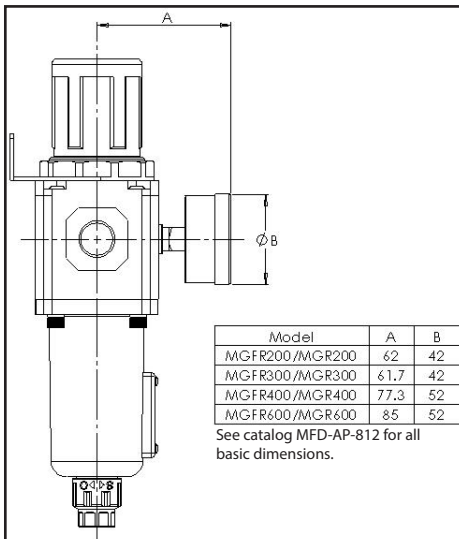
TYPE	MODEL	PORT SIZE	DRAIN	FILTERING	BOWL TYPE	GAUGE TYPE
MGFR	200	06 - 1/8 NPT (200 Series)	Blank - Auto Drain*	Blank - 40 microns	Blank - Polycarbonate with Metal Bowl Guard*	Blank - Square/Flush
MGR	300	08 - 1/4 NPT (200, 300 Series)	M- Manual Drain	W - 5 microns	D - Metal Bowl	R - Round/Port-Mounted
	400	10 - 3/8 NPT (300 Series)	S- Semi-Auto Drain			
	600	15 - 1/2 NPT (400 Series)				
		20 - 3/4 NPT (600 Series)				
		25 - 1 NPT (600 Series)				

* not available on the 200 Series

* - 200 series has polycarbonate bowl with no guard
- 600 series comes standard with metal bowl

Part No.	Description
RGK-40	1/8 NPT, 40mm round gauge kit, with adaptor plate, 2 screws, and o-ring, 0-140 PSI, for use with 200 and 300 series regulators/filter-regulators
RGK-40-L	1/8 NPT, 40mm round gauge kit, with adaptor plate, 2 screws, and o-ring, 0-60 PSI, for use with 200 and 300 series regulators/filter-regulators
RGK-50	1/4 NPT, 50mm round gauge kit, with adaptor plate, 2 screws, and o-ring, 0-140 PSI, for use with 400 and 600 series regulators/filter-regulators
RG-40	1/8 NPT, 40mm round gauge, 0-140 PSI, for use with 200 and 300 series regulators/filter-regulators
RG-40-L	1/8 NPT, 40mm round gauge, 0-60 PSI, for use with 200 and 300 series regulators/filter-regulators
RG-50	1/4 NPT, 50mm round gauge, 0-140 PSI, for use with 400 and 600 series regulators/filter-regulators
RK-40	1/8 NPT, adaptor plate kit with 2 screws and o-ring, 0-140 PSI, for use with 200 and 300 series regulators/filter-regulators
RK-50	1/4 NPT, adaptor plate kit with 2 screws and o-ring, 0-140 PSI, for use with 400 and 600 series regulators/filter-regulators

Dimensions (mm)



Ordered as an Option

Specify "R" for NPT gauge in regulator or filter/regulator part number.
Note: to prevent shipment damage, units ship as base model with flush plate gauge assembled, along with kit components for NPT gauge.



Add \$9 to base model list price.

Ordered as a Kit

Includes gauge with both English and S.I. units, adaptor plate, (2) assembly screws



Mead Fluid Dynamics
Chicago, IL 60641
Telephone: 773.685.6800
Toll Free: 877.MEAD.USA
Email: sales@mead-usa.com
www.mead-usa.com

Leaders in Actuation.

MFD-RG-214

To learn more about this product, scan this QR code with your mobile device.





MFD

NPT Digital Gauges



HOW TO ORDER

D G -

Pressure Port

06 : 1/8" NPT, 10-32 UNF
08 : 1/4" NPT, 10-32 UNF

SPECIFICATIONS

TYPE	DG - 	
Rated pressure range	0.000 ~ 1.000MPa	
Display pressure range	0.000 ~ 1.000MPa	
Withstand pressure	1.5MPa	
Applicable fluid	Filtered air, incombustible and non-corrosive gases	
Pressure resolution	MPa	0.001
	kgf/cm ²	0.01
	bar	0.01
	psi	0.1
Battery	CR 2032 lithium	
Back light	No	
Battery life	3 years (5 times/day)	
Low-power indicator	Yes	
Battery replaceable	Yes	
Turn-on interval	Display turns off after 30 sec.	
Sampling rate	2 Hz (2 times/sec.)	
Pressure unit	psi, bar, kgf/cm ² and MPa user selectable	
Repeatability	≤ ±0.2% F.S. ±1 digit	
LCD Display	3 1/2 digit, 7 segment	
Indicator accuracy	≤ ±2% F.S. ±1 digit (ambient temperature: 25 ±3 °C)	
Environment	Enclosure	IP65*
	Ambient temp. range	Operation: 0 ~ 50 °C, storage -10 ~ 60 °C (No condensation or freezing)
	Ambient humidity range	Operation/Storage: 35 ~ 85% RH (No condensation)
	Vibration	Total amplitude, 1.5mm or 10G, 10Hz-55Hz-10Hz scan for 1 minute, two hours each direction of X, Y and Z
	Shock	100m/s ² (10G), 3 times each in direction of X, Y and Z
Temperature characteristic	≤ ±2% F.S. of detected pressure (25 °C) at temp. range of 0 ~ 50 °C	
Port size	06: 1/8" NPT, 10-32 UNF 08: 1/4" NPT, 10-32 UNF	
Weight	Approx. 40g	

PANEL DESCRIPTION

Pressure Unit
Display Section

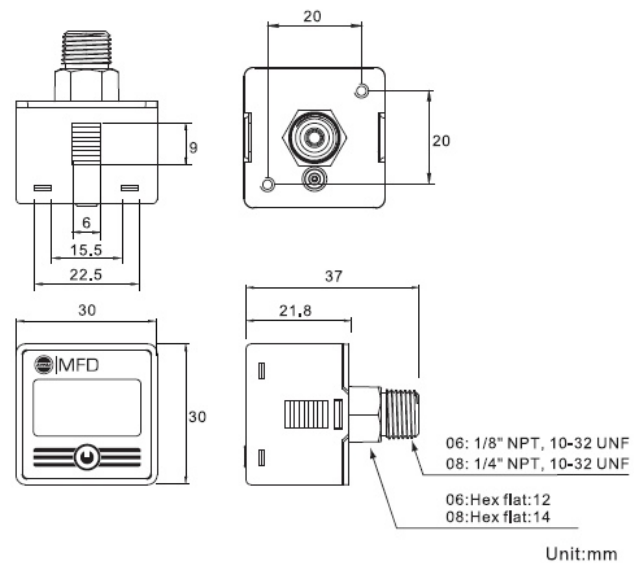
Battery Meter

Pressure Display

Setting Button



DIMENSIONS



Mead Fluid Dynamics
Chicago, IL 60641
Telephone: 773.685.6800
Toll Free: 877.MEAD.USA
Email: sales@mead-usa.com
www.mead-usa.com

Leaders in Actuation.

MFD-RG-214

To learn more about this product, scan this QR code with your mobile device.

